

Department of Engineering  
Tim Bryan, P.E., County Engineer

3137 South Liberty Street, Canton, MS 39046  
Office (601) 790-2525 FAX (601) 859-3430

**MEMORANDUM**

April 21, 2022

To: Sheila Jones, Supervisor, District I  
Trey Baxter, Supervisor, District II  
Gerald Steen, Supervisor, District III  
Karl Banks, Supervisor, District IV  
Paul Griffin, Supervisor, District V

From: Tim Bryan, P.E., PTOE  
County Engineer

Re: AT&T Utility Permit  
County Road Name, Morgan Road

The Engineering Department recommends approval of the permit application for AT&T to bore a fiber optic cable from 375 Morgan Road to 258 Morgan Road. This is to provide fiber service to 258 Morgan Road.

Revised: 2/14/2019



## PERMIT APPLICATION FOR THE CONSTRUCTION OR ADJUSTMENT OF A UTILITY WITHIN COUNTY ROAD RIGHT-OF-WAY

Utility Information: Utility Name: ATT

Address: 370 CHURCH RD City/State/Zip: MADISON, MS 39110

Contact Person: Donnie Miller Contact's Phone: 601-521-8779

Project Information: County Road Name: MORGAN RD

*(If located within more than one road right-of-way, use Appendix 1 for additional descriptions)*

Beginning Location: 370 FT EAST OF N LIBERTYST ON MORGAN RD Ending Location: 258 MORGAN RD

Length of Project: 3354 FT Section: 8 Township: T-9-N Range: R-3-E

Description of Work: BORE FROM POLE NEAR 375 MORGAN RD TO 258 MORGAN RD. WILL ALSO PLACE 2 HANDHOLES ONE

ONE NEAR 333 MORGAN RD AND ONE ACROSS FROM 258 MORGAN RD. BORE WILL BE DONE ON SOUTH AND WEST SIDE OF

MORGAN RD THAN BORING UNDER MORGAN RD AT FRONT OF 258 MORGAN RD. THIS IS TO PROVIDE FIBER SERVICE TO

258 MORGAN RD.

Check Box if Appendix 1 is to be included as a part of this Application

Whereas the above stated Utility makes application to the **Madison County Board of Supervisors** for a Construction Permit. Attached hereto are drawings and plans for the construction of the above facilities located within Madison County owned public rights-of-way. Once stamped by the Madison County Engineering Department, these plans shall not be changed or altered without written approval of the County Engineer, or his representative. A copy of the approved permit and plans shall be on-site at all times during construction.

The Applicant Utility shall comply with all policies, procedures and construction practices as outlined in *A Policy for The Accommodation of Utility Facilities within the Right-of-Way of all Public County Roads* (hereinafter referred to as the "Policy"), as adopted on November 1, 2005, by the **Madison County Board of Supervisors**, and which is hereby made a part of this Application Agreement.

If facilities are to be located within the Rights-of-Way of the County-Federal or State Aid System, Applicant Utility also agrees to comply with applicable provisions of *S.O.P. No. SA II-2-8, Accommodation of Utilities on Rights-of-Way*, issued by the State Aid Engineer and dated July 1, 2005.

The Applicant Utility understands and agrees that, except as herein granted, no right, title, claim, or easement to said road right-of-way is granted by the issuance of this permit. If this Utility is listed in the general provisions of the Policy, it will be adjusted to comply with same without cost to the County, unless the variance from the Policy has been approved by the granting of the Permit pursuant to this Application.

The Applicant Utility further understands that the Utility's engineering, plant, or other personnel will be responsible for the staking and construction supervision of the work set out above and as shown on the attached plans. If work impacts traffic in any way, the appropriate traffic control shall be installed per the *Manual of Uniform Traffic Control Devices*, Latest Edition.

The Applicant Utility understands that the County Engineer, or his representative, may issue a Stop Work Order at any time if it is deemed that site conditions are not suitable for construction or if any of the requirements of this permit are not being met.

Many County Roads have variable Rights-of-Way and/or no Right-of-Way at all and are maintained under a Prescriptive Easement. It is the sole responsibility of the Applicant Utility to verify the existence and limits of public rights-of-way. If none exists, it is the

responsibility of the Applicant Utility to acquire an easement for their Facilities from the applicable property owner(s). Madison County in no way verifies the limits of Right-of-Way as shown on the permit application.

The Applicant Utility shall be responsible for all future maintenance and repair of the facilities installed under this permit. The Applicant Utility shall make future adjustments to, or relocate, the facilities located within road or highway right-of-way when required for road or highway widening or other road or highway construction at no cost to Madison County. The Applicant Utility shall relocate said utilities within sixty (60) days of notification by County by registered mail, return receipt requested, unless otherwise designated by the County Engineer. Further, any maintenance, repair, or construction shall be done in such a manner as to occasion no unreasonable interference with the normal flow and safety to traffic and at the expense of the utility company. When reasonable care has been taken to locate said utility facilities within the right-of-way, the Applicant Utility understands that any damages caused by routine maintenance and construction by County forces shall be borne by the Applicant Utility.

The Applicant Utility further agrees to indemnify and hold Madison County harmless for any and all claims, accidents, damages, liabilities and expenses occasioned wholly, or in part, by any act or omission of applicant, its agents or employees. In case County shall, without fault on its own part, be made a party to any litigation commenced by or against applicant, then applicant shall protect and hold County harmless, and shall pay all costs, expenses and reasonable attorney's fees incurred or paid by County in connection with said litigation.

All underground facilities shall be installed at a depth equal to or greater than 48" below the lowest adjacent grade.

All pipes carrying liquid shall be encased under County maintained roads.

WITNESS the signature of the Applicant this the 20TH day of April, 2022.

By: Donnie Miller  
(Applicant Signature)

Title: MANAGER OSP AND ENGINEERING

**Note:** *Applicant must be an employee of the Utility named in this application. The Madison County Board of Supervisors will not recognize a Contractor, Subcontractor, Agent, or Consulting Engineer as the Applicant. Utility Company shall be fully responsible for all work performed under this application.*

I, or my authorized representative, have reviewed this application and determined that the drawing, sketches, and plans submitted by the Applicant meet the requirements of *A Policy for The Accommodation of Utility Facilities within the Right-of-Way of all Public County Roads.*

By: \_\_\_\_\_  
**Tim Bryan, P.E.**  
**County Engineer**

AGREED TO AND APPROVED BY:

\_\_\_\_\_  
**Madison County Board President**

Date: \_\_\_\_\_

ENTERED INTO THE MINUTES OF THE BOARD OF SUPERVISORS OF MADISON COUNTY, MISSISSIPPI ON THIS \_\_\_\_\_ DAY OF \_\_\_\_\_, 20\_\_\_\_.

**Appendix 1**

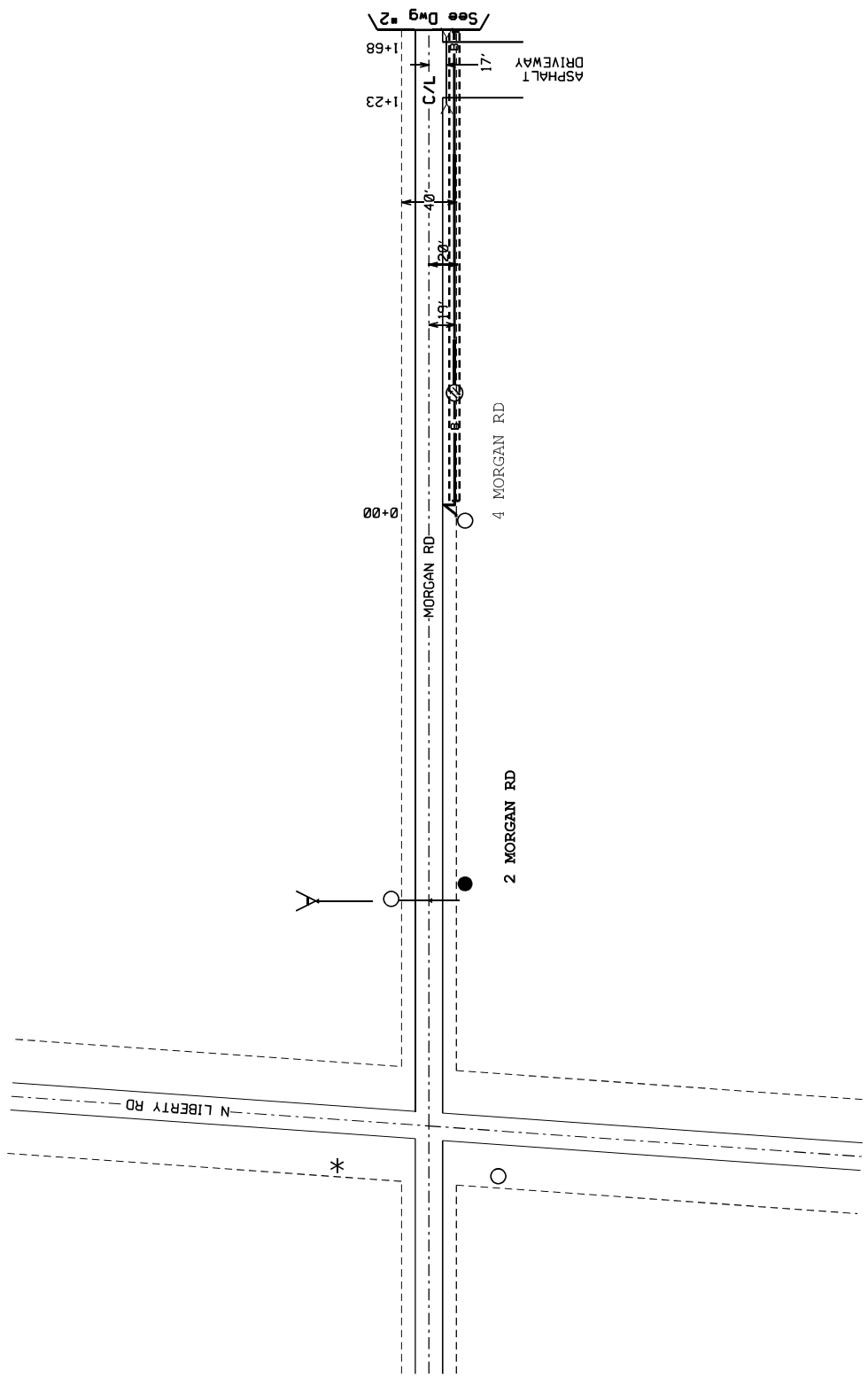
County Road Name: \_\_\_\_\_  
Beginning Location: \_\_\_\_\_ Ending Location: \_\_\_\_\_  
Length of Project: \_\_\_\_\_ Section: \_\_\_\_\_ Township: \_\_\_\_\_ Range: \_\_\_\_\_  
Description of Work: \_\_\_\_\_  
\_\_\_\_\_  
\_\_\_\_\_

County Road Name: \_\_\_\_\_  
Beginning Location: \_\_\_\_\_ Ending Location: \_\_\_\_\_  
Length of Project: \_\_\_\_\_ Section: \_\_\_\_\_ Township: \_\_\_\_\_ Range: \_\_\_\_\_  
Description of Work: \_\_\_\_\_  
\_\_\_\_\_  
\_\_\_\_\_

County Road Name: \_\_\_\_\_  
Beginning Location: \_\_\_\_\_ Ending Location: \_\_\_\_\_  
Length of Project: \_\_\_\_\_ Section: \_\_\_\_\_ Township: \_\_\_\_\_ Range: \_\_\_\_\_  
Description of Work: \_\_\_\_\_  
\_\_\_\_\_  
\_\_\_\_\_

County Road Name: \_\_\_\_\_  
Beginning Location: \_\_\_\_\_ Ending Location: \_\_\_\_\_  
Length of Project: \_\_\_\_\_ Section: \_\_\_\_\_ Township: \_\_\_\_\_ Range: \_\_\_\_\_  
Description of Work: \_\_\_\_\_  
\_\_\_\_\_  
\_\_\_\_\_

County Road Name: \_\_\_\_\_  
Beginning Location: \_\_\_\_\_ Ending Location: \_\_\_\_\_  
Length of Project: \_\_\_\_\_ Section: \_\_\_\_\_ Township: \_\_\_\_\_ Range: \_\_\_\_\_  
Description of Work: \_\_\_\_\_  
\_\_\_\_\_  
\_\_\_\_\_



# ATTSE

PROPOSED TELEPHONE FACILITIES  
ON RIGHT OF WAY OF  
MADISON COUNTY

MORGAN RD

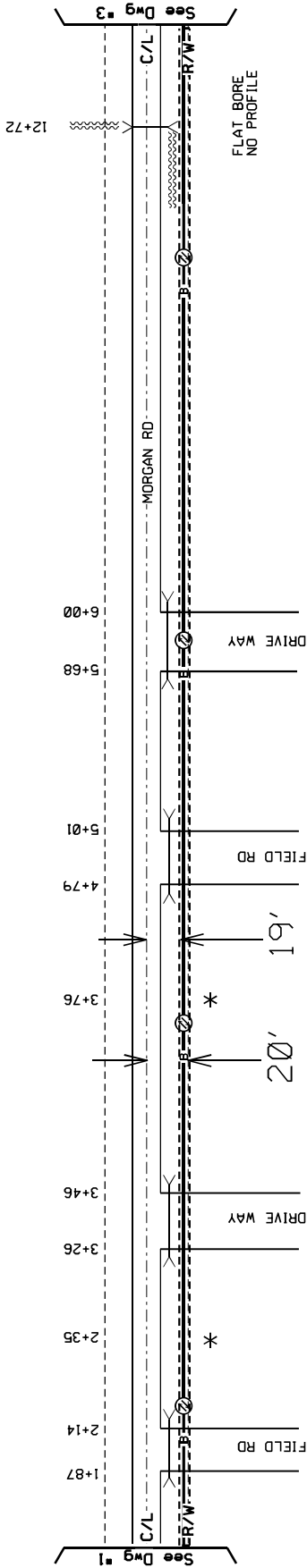
Exchange: CANTON

Designer: DONNIE MILLER

Phone: 601-829-3882

Authorization: A02BX2M

Dwg. 1 of 4



ALL CULVERT ARE 17' FROM CENTERLINE

# ATTSE

PROPOSED TELEPHONE FACILITIES  
ON RIGHT OF WAY OF  
MADISON COUNTY

MORGAN RD

Exchange: CANTON

Designer: DONNIE MILLER

Phone: 601-829-3882

Authorization: A02BX2M

Dwg. 2 of 4



# ATTSE

PROPOSED TELEPHONE FACILITIES  
ON RIGHT OF WAY OF  
MADISON COUNTY

MORGAN RD

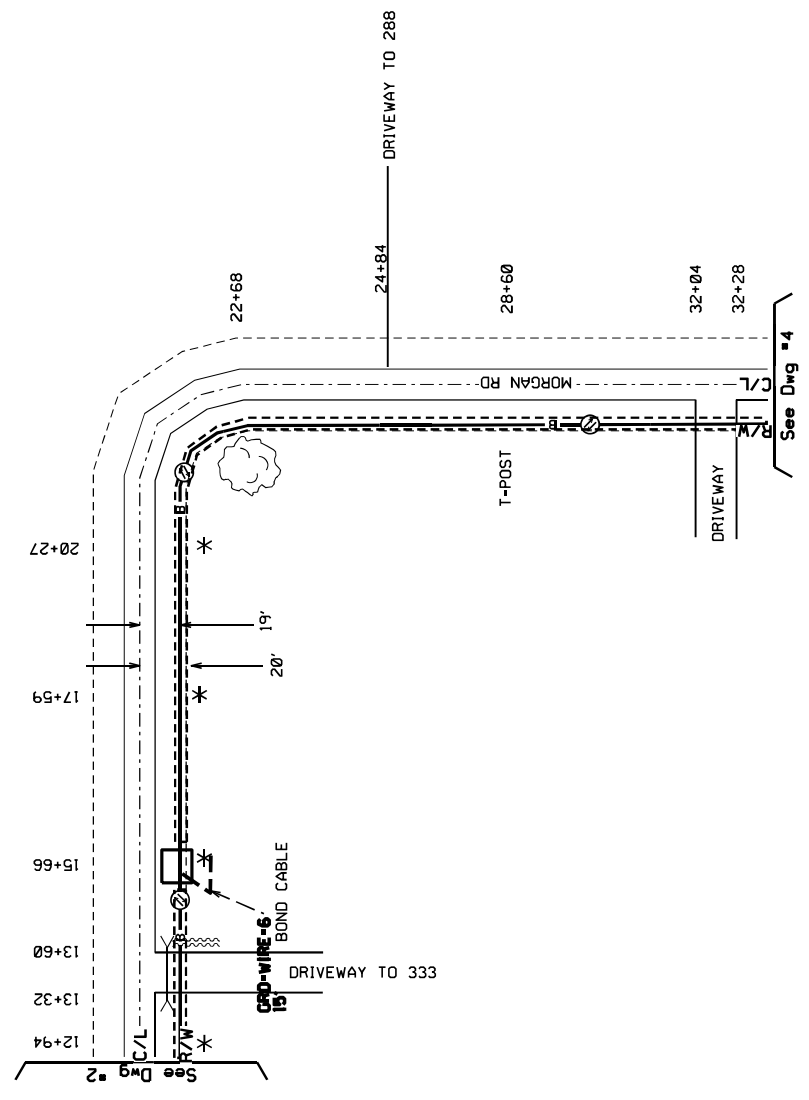
Exchange: CANTON

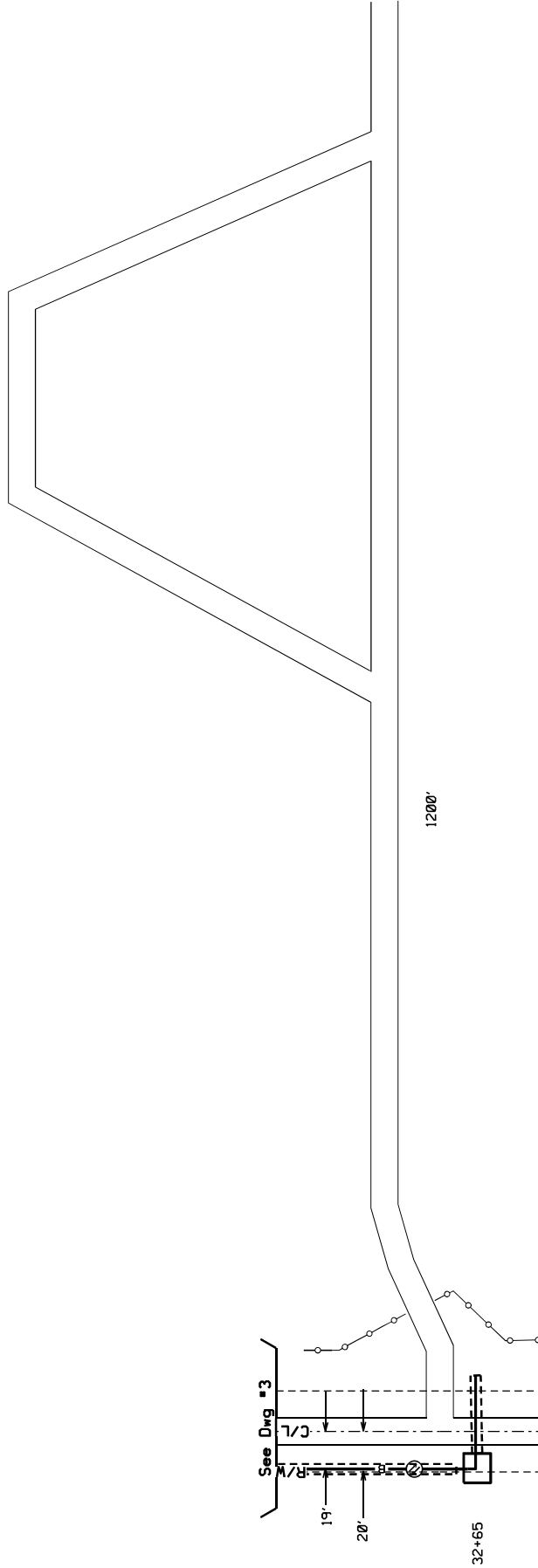
Designer: DONNIE MILLER

Phone: 601-829-3882

Authorization: A02BX2M

Dwg. 3 of 4





See Dwg #3

C/L

R/W

19'

20'

32+65

1200'

# ATTSE

PROPOSED TELEPHONE FACILITIES  
ON RIGHT OF WAY OF  
MADISON COUNTY

MORGAN RD

Exchange: CANTON

Designer: DONNIE MILLER

Phone: 601-829-3882

Authorization: A02BX2M

Dwg. 4 of 4



